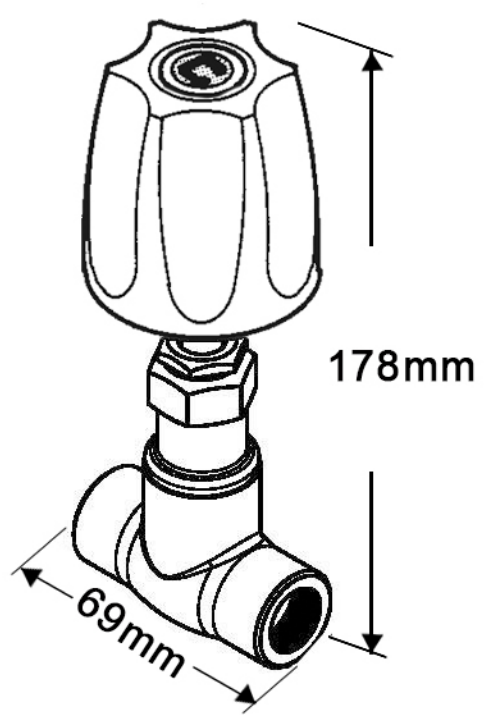
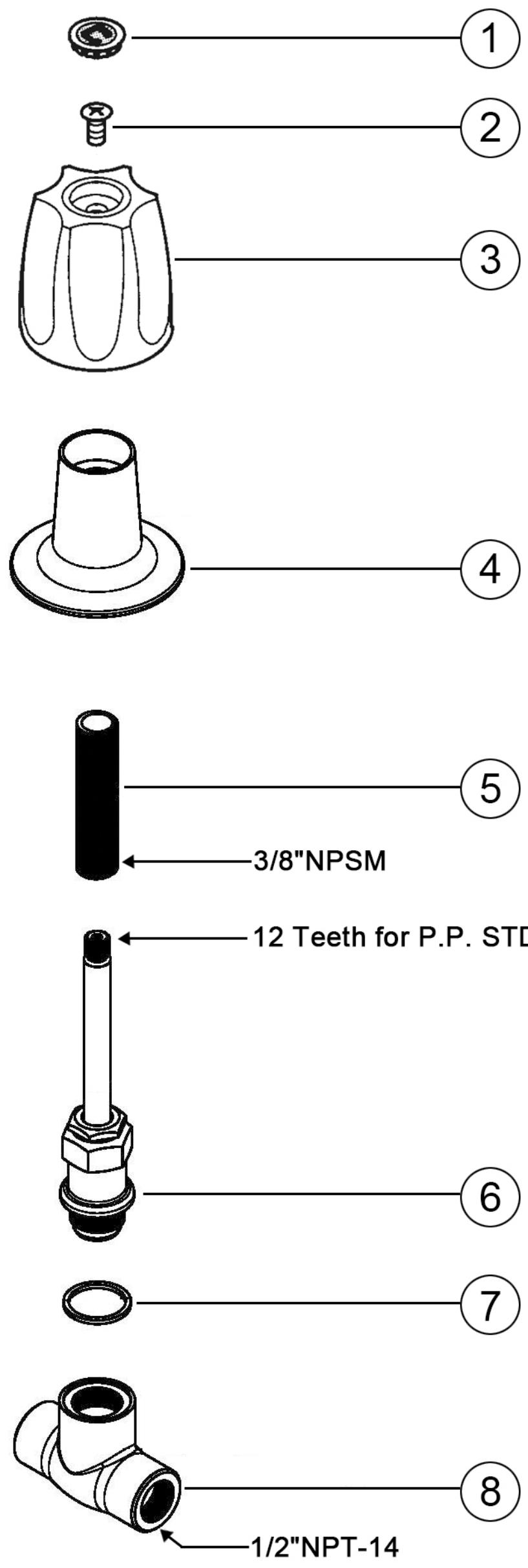


ITEM	P/N	QTY	DESC.
1	AS-1	1	ACRYLIC (PLASTIC) COVER
2	AS-2	1	C.P. SCREW
3	AS-3	1	ZINC C.P. HANDLE
4	AS-4	1	ZINC C.P. FLANGE
5	AS-5	1	PROPYLENE (PLASTIC) NIPPLE
6	AS-6	1	BRASS STEM FIT FOR P.P. STD.
7	AS-7	1	NYLON WASHER
8	AS-8	1	BRASS BODY, FIT P.P. STD.



UNSPECIFIED TOL.		DRAWER	Kate	Mar.2,16'	DESCRIPTION		SCALE	N/A	ARE SHENG INDUSTRY CO., LTD. NO.105, P'ING-AN RD, HSIUSHUI, CHANGHUA, TAIWAN 50447 TEL: 884-4-7510666 FAX: 886-4-7510699
0.5-20	±0.2	CHECKED	David	Mar.2,16'	BRASS SHOWER VALVE		SIZE	A4V	
20-50	±0.3	MATERIAL	BRASS				UNIT	MM	
50-100	±0.5	FINISH					VERSION	C	
100-200	±0.8				PART NO.		DRAWING NO.	AS-AL	
200-500	±1.0								