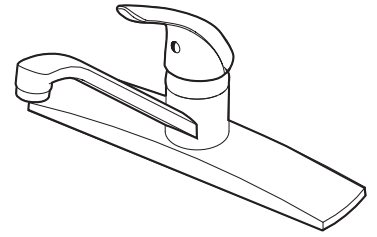


- 134-1444 Finish(PC)
- G134-1444 Finish(PC)



### Specifications

- Single Control
- 3 or 4-Hole Installation
- Stainless Steel Ball Valve

### Features

- 1.8 GPM Flow Rate (G134 Only)
- 2.2 GPM Flow Rate (134 Only)
- 3-Hole Installation
- Stainless Steel Ball Valve
- Pforever Warranty®

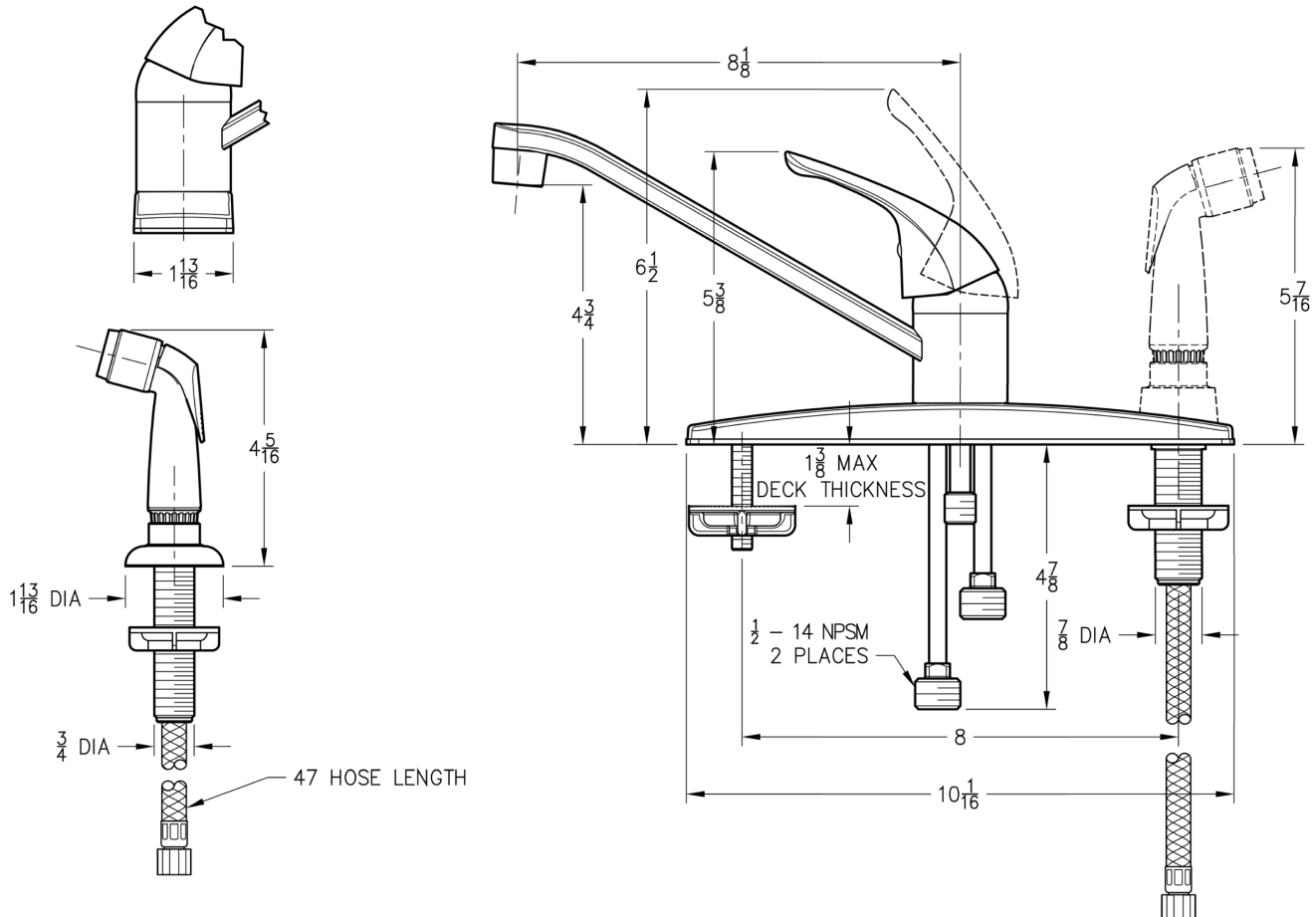
### Code Compliance

Pfister products are designed and manufactured in compliance with the following standards and codes:

- IAPMO Certified
- CSA B125 Certified
- ASME A112.18.1
- NSF 61/9 Annex G (Low lead) (G134 Only)
- Cal Green Compliant (G134 Only)
- ADA Compliant-ANSI A117.1 (Lever handles only)



### Dimensions



Ø1-3/8 Min to Ø1-1/2 Max. Deck Hole Openings